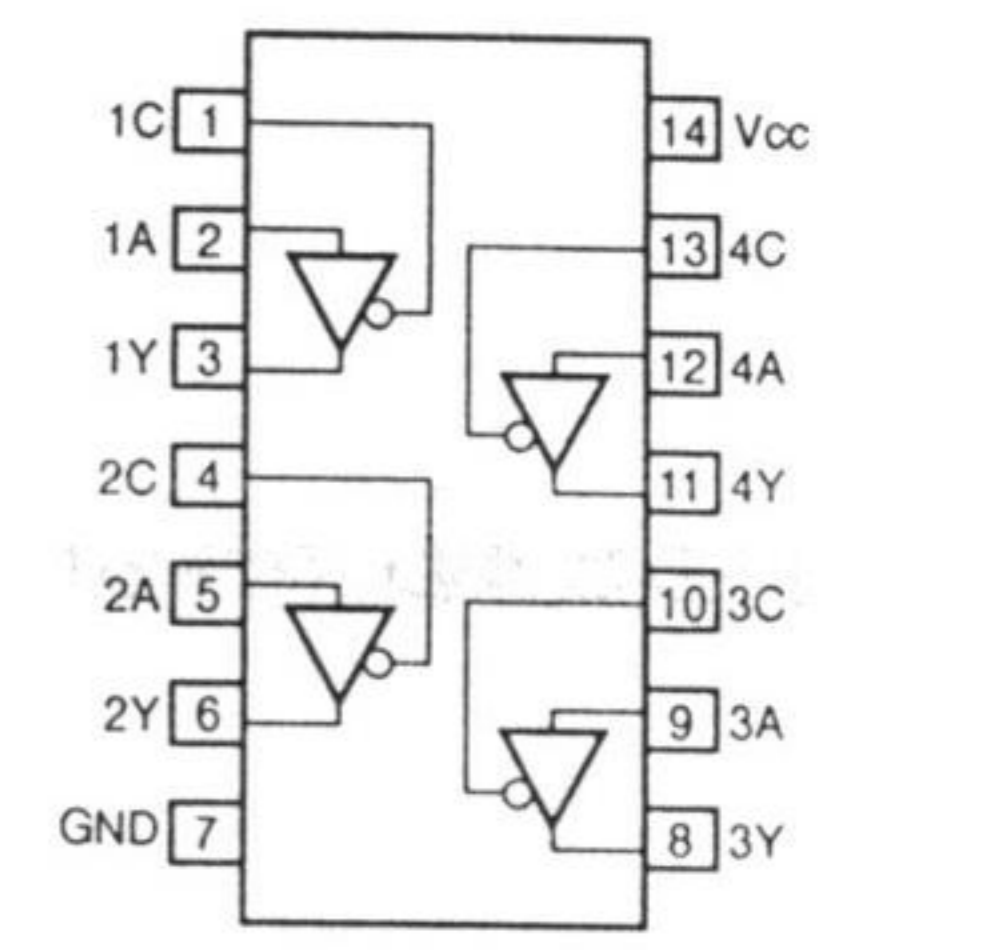
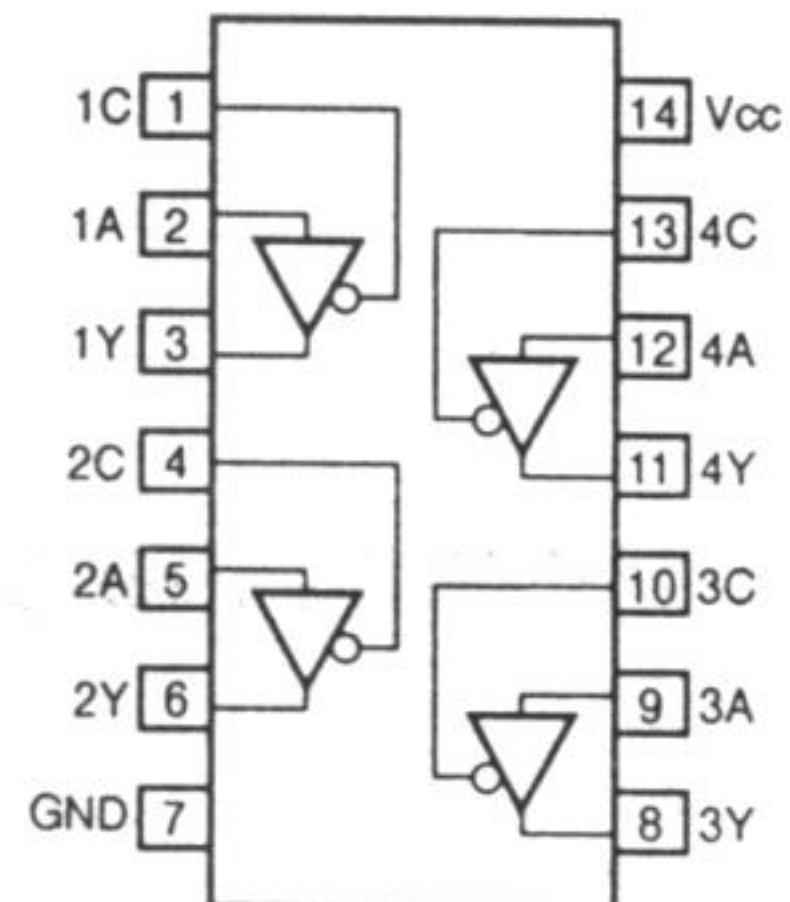


IC16 : HD74HC125AP  
Quad 3 State Bus Buffers

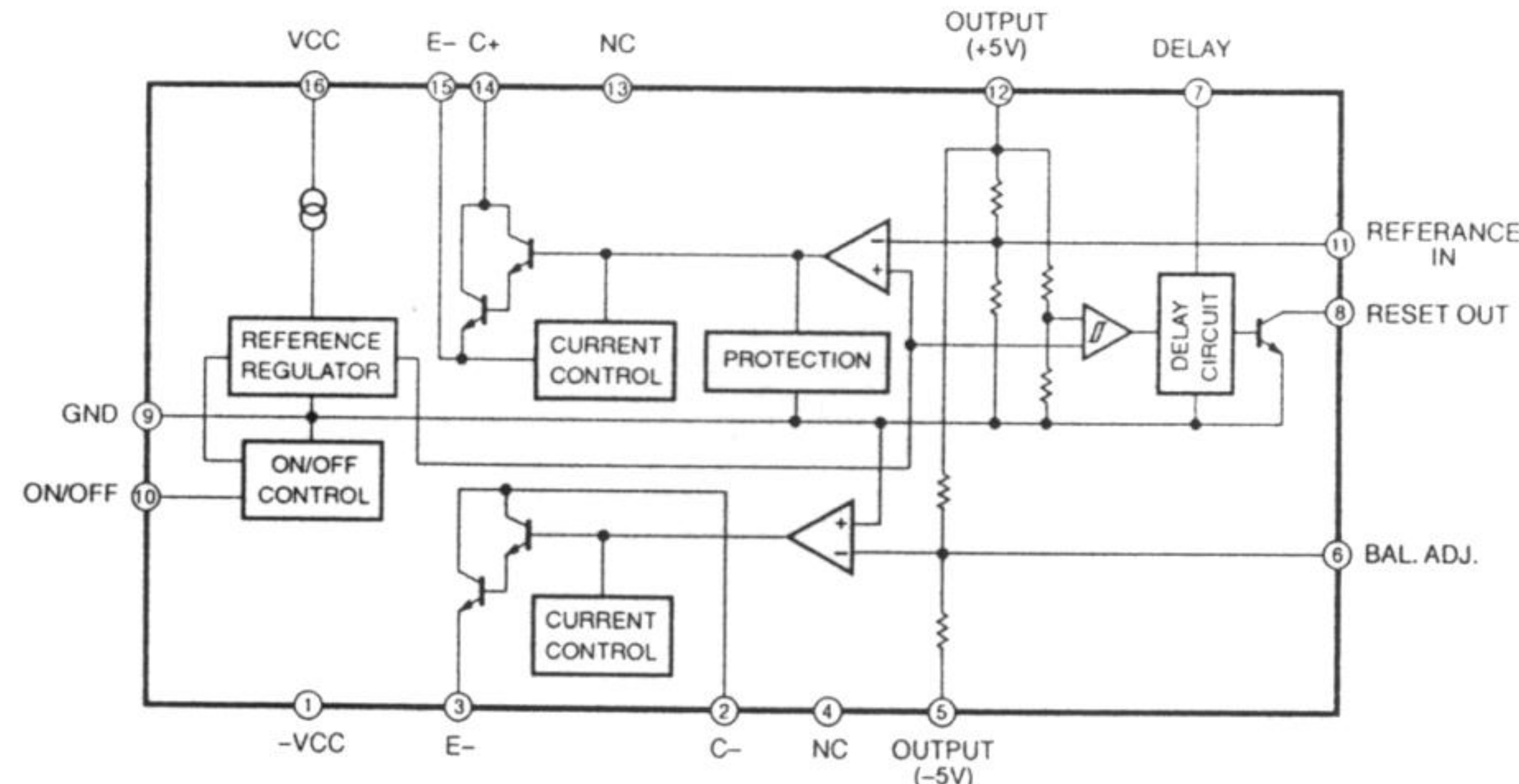


圧です。

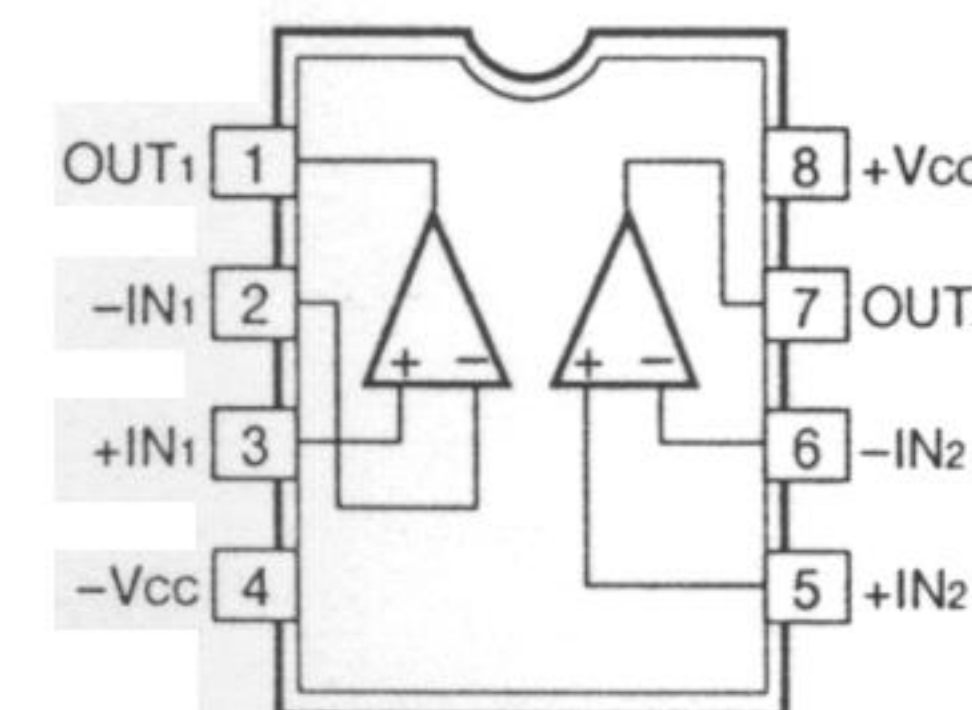
IC16 : HD74HC125AP  
Quad 3 State Bus Buffers



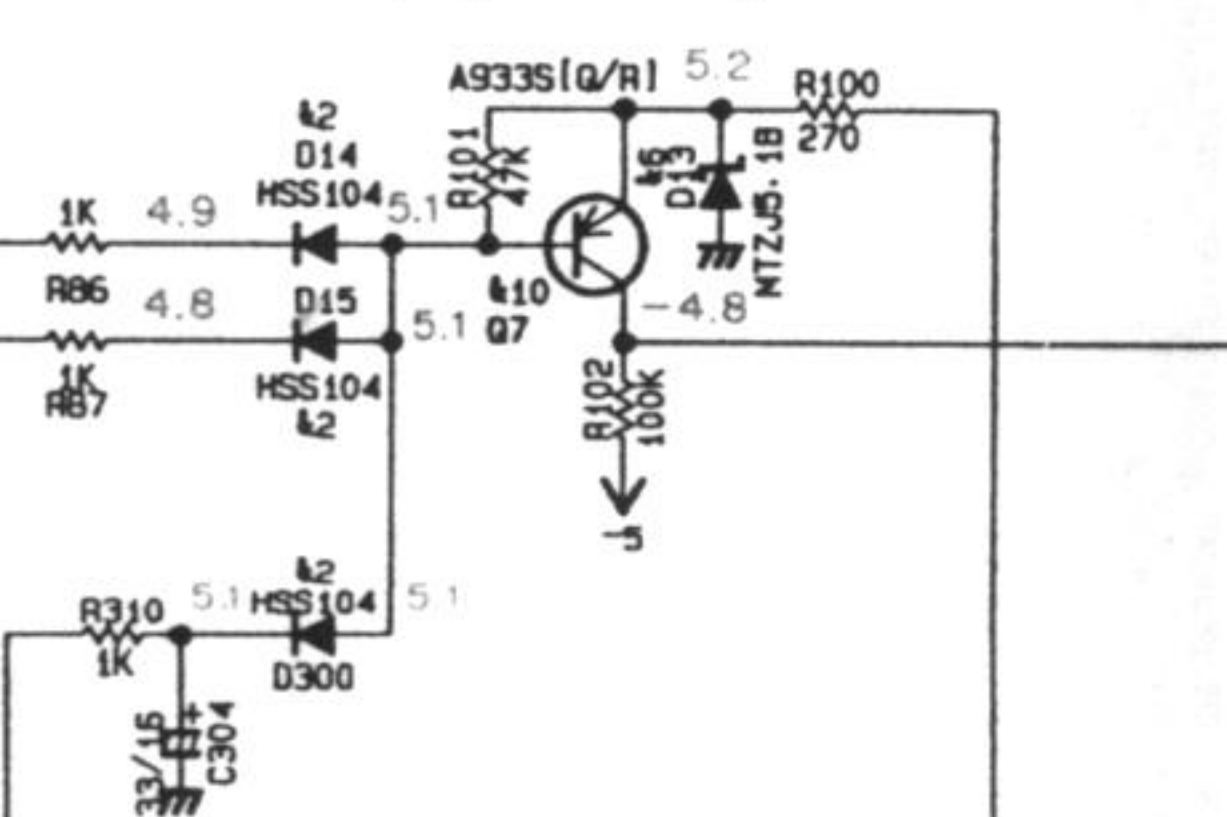
IC27 : M5290P  
Constant-Voltage Tracking Supply with Reset



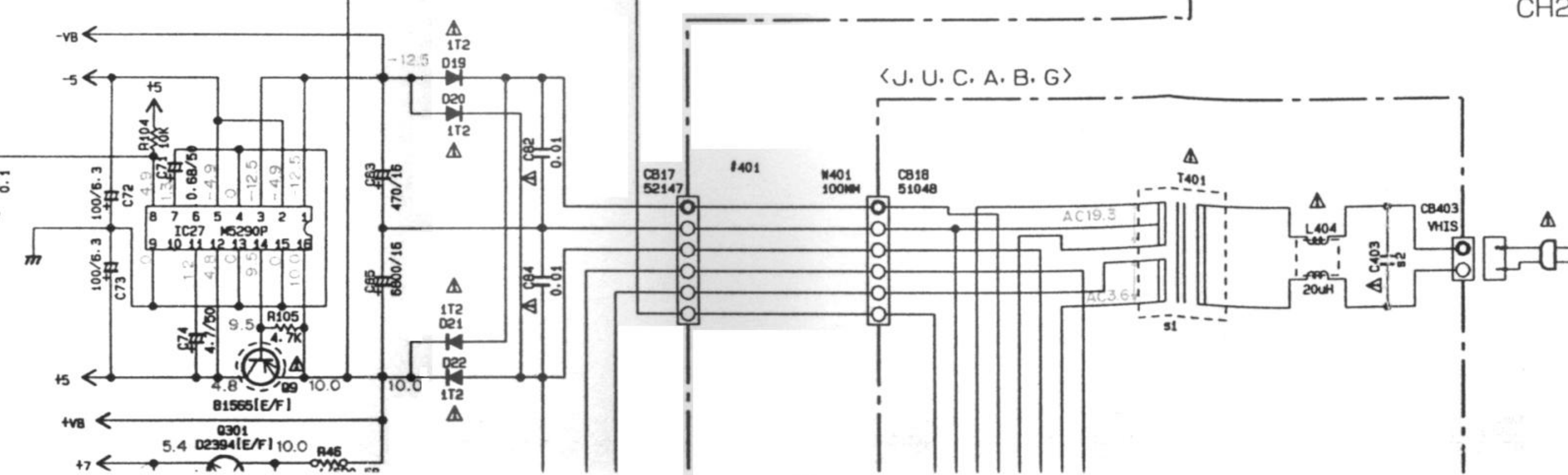
IC25 : NJM2068D-D  
Dual OP-Amp



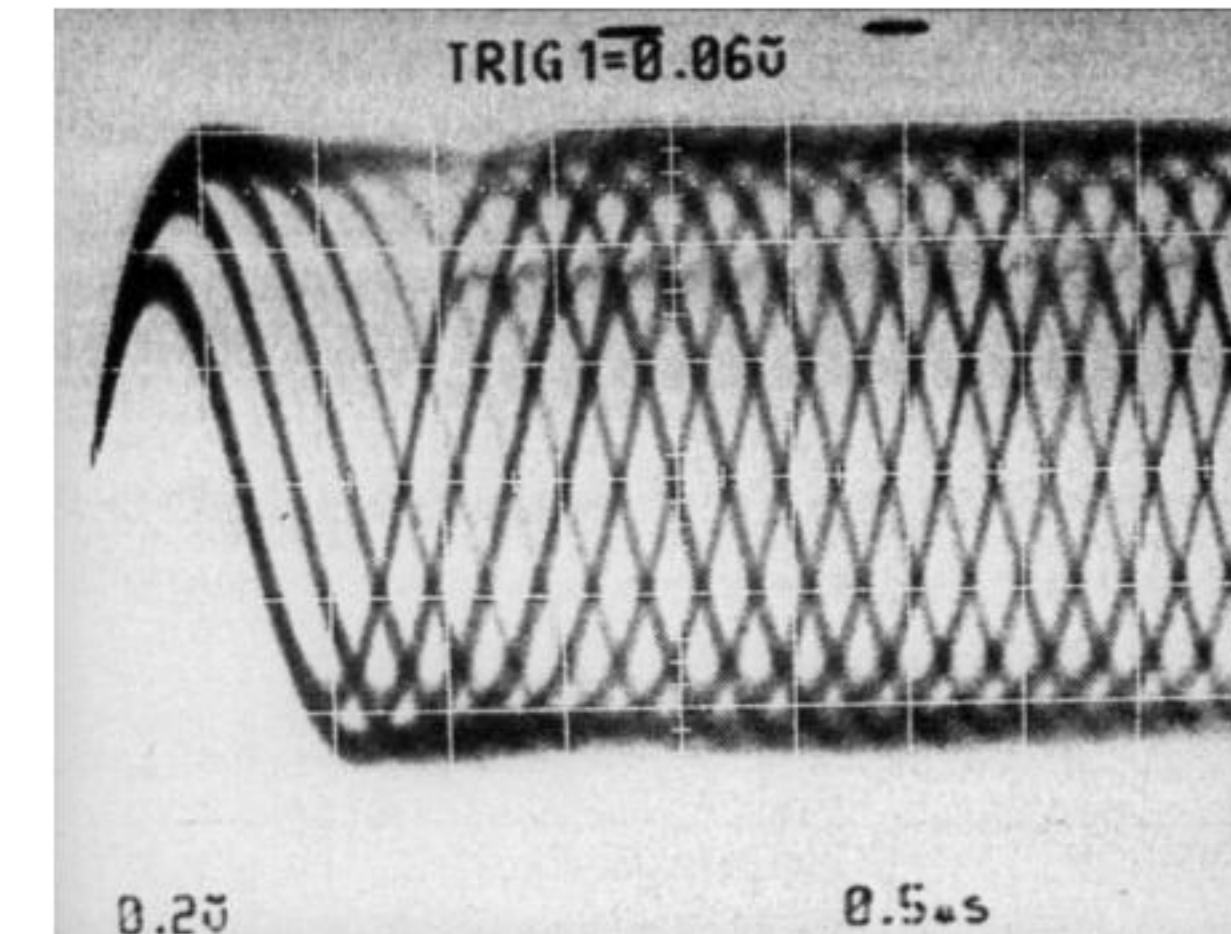
MUTE CONTROL



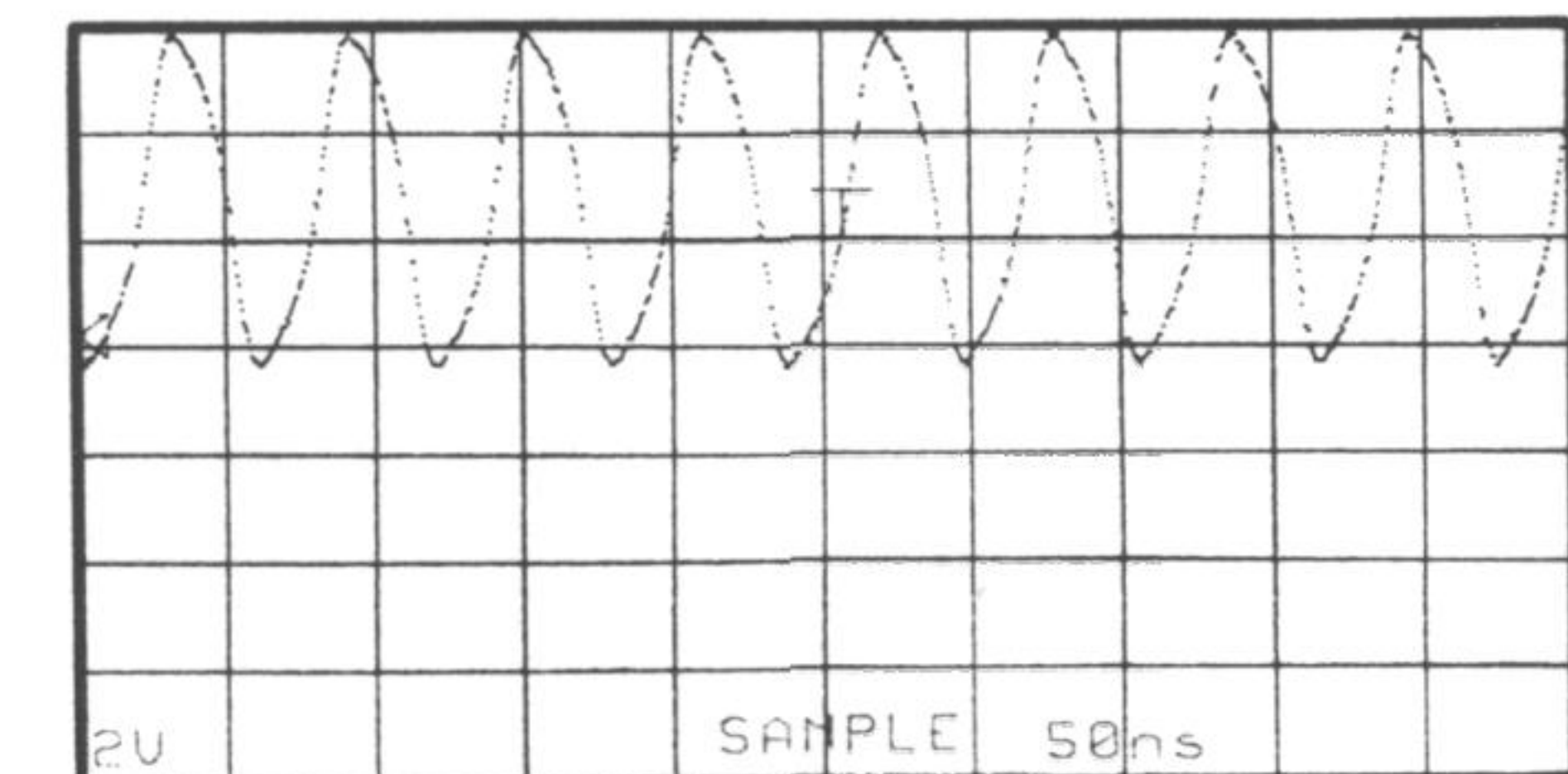
POWER SUPPLY



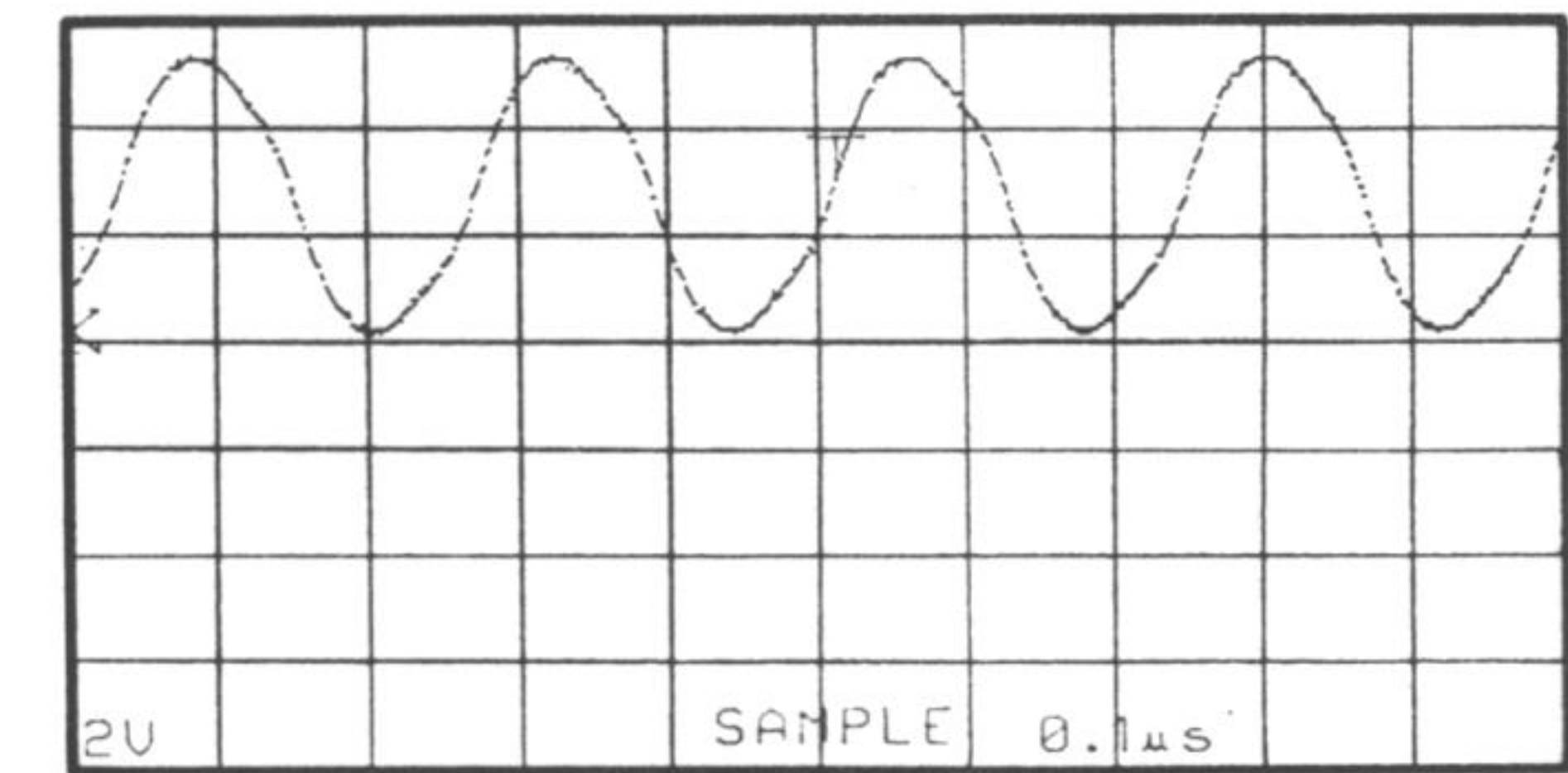
Point ① TP1 (EFM)  
V : 0.2V/div H : 0.5μsec/div  
AC range 1 : 1 probe



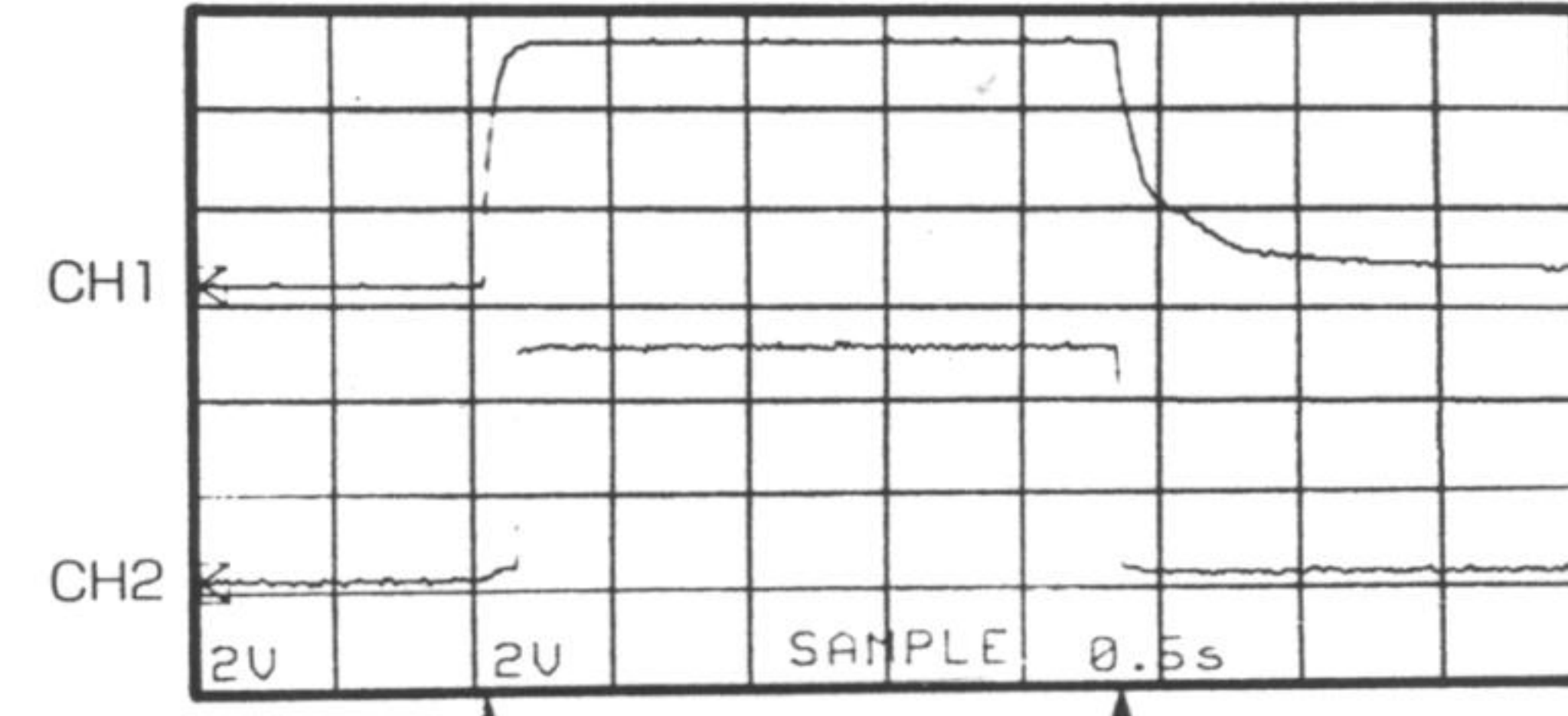
Point ② (Pin 59 of IC11)  
V : 2V/div H : 50nsec/div  
DC range 1 : 1 probe



Point ③ (Pin 31 of IC12)  
V : 2V/div H : 0.1μsec/div  
DC range 1 : 1 probe

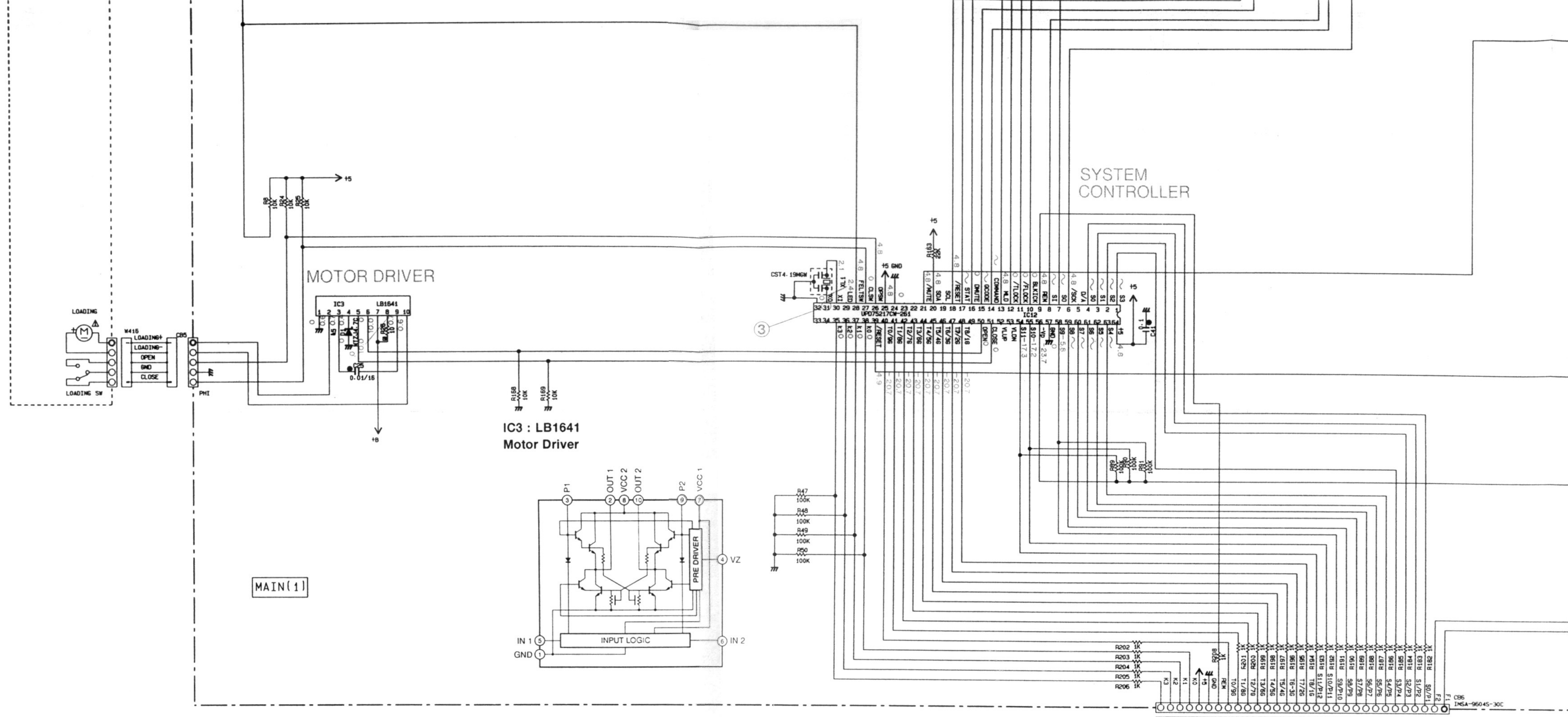


Point ④  
(CH1 : Collector of Q9) V : 5V/div CH1  
(CH2 : Pin8 of IC27) V : 2V/div CH2  
H : 0.5sec/div DC range 1 : 1 probe



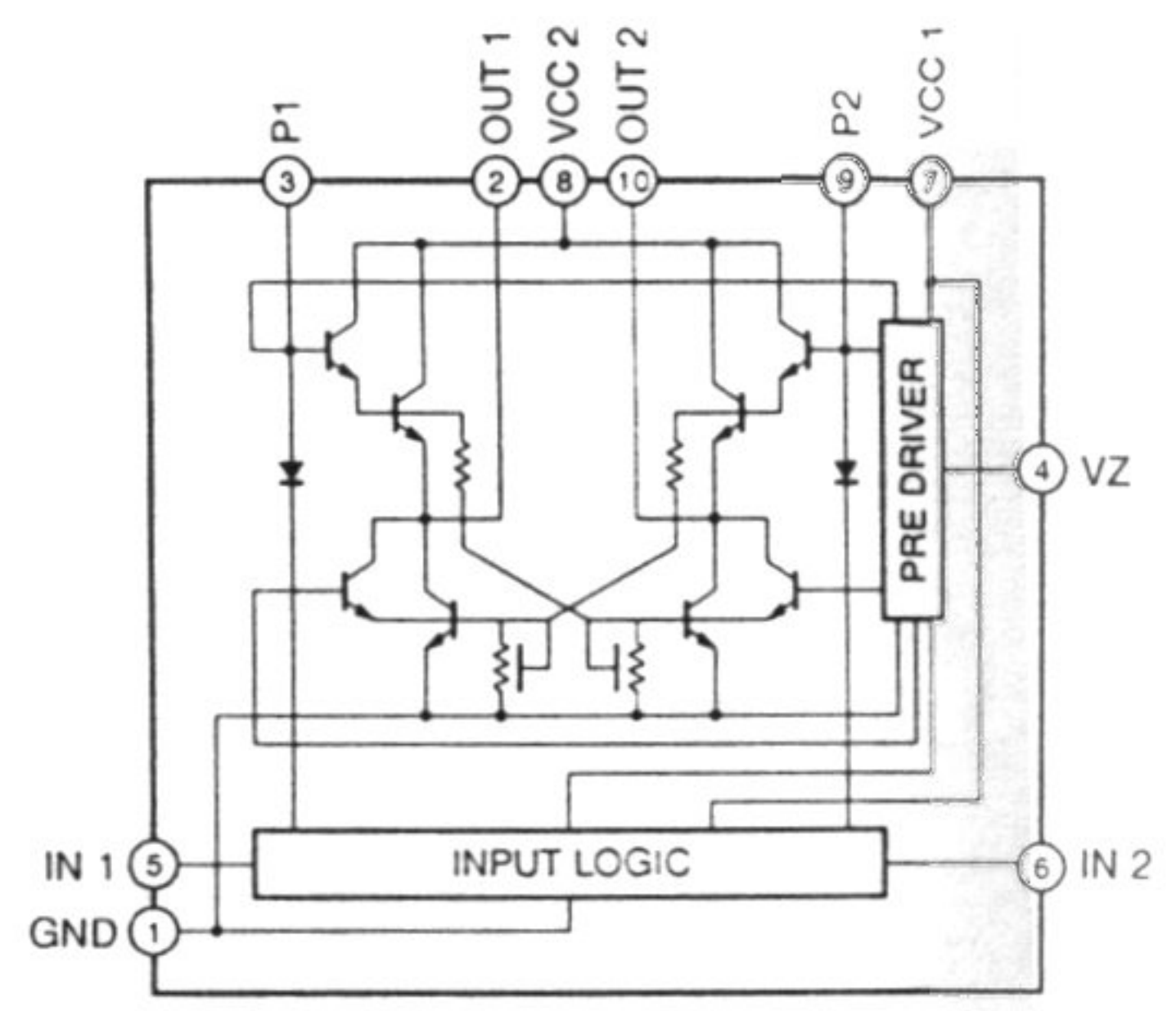
POWER ON POWER OFF

5  
6  
7  
8  
9



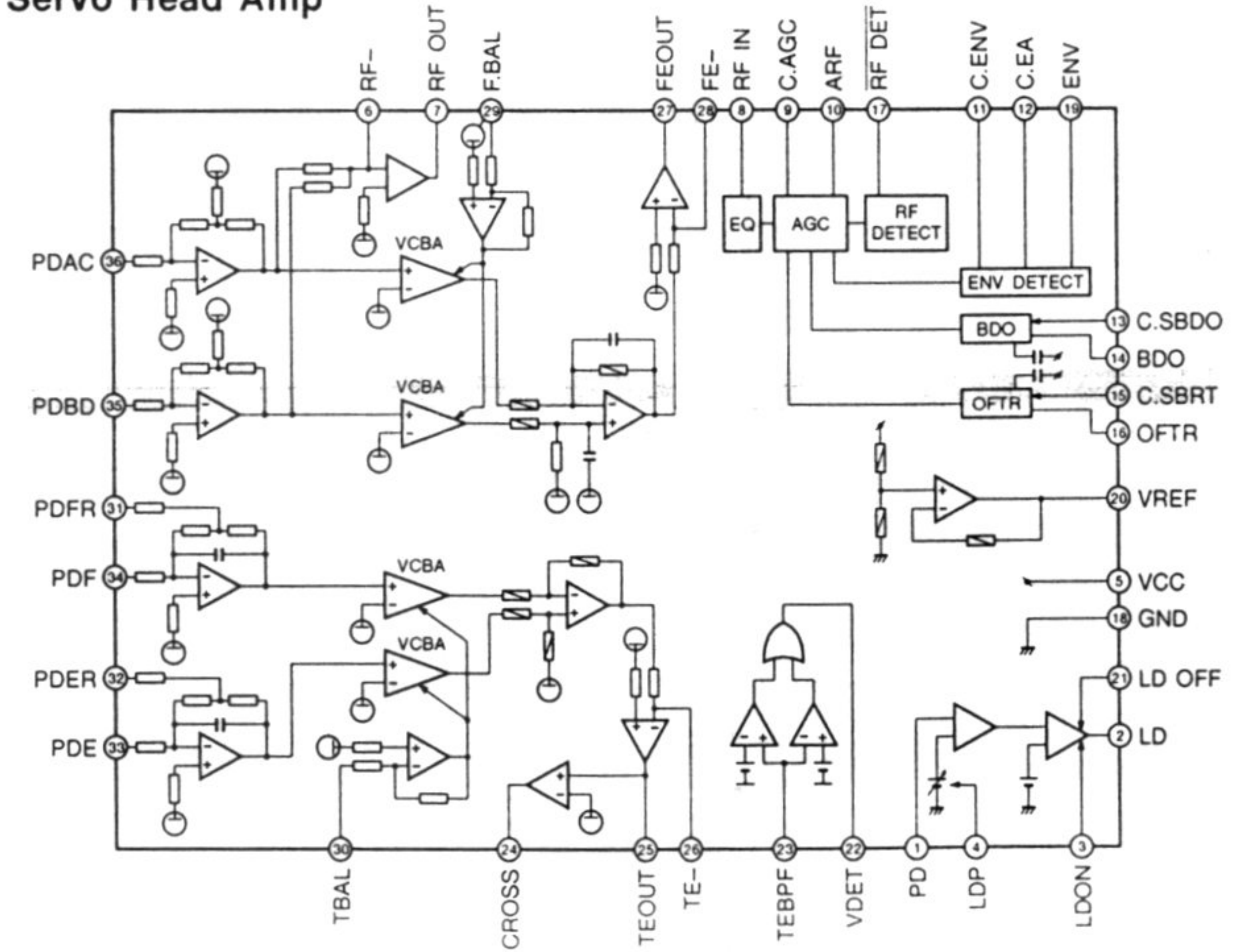
MOTOR DRIVER

IC3 : LB1641  
Motor Driver

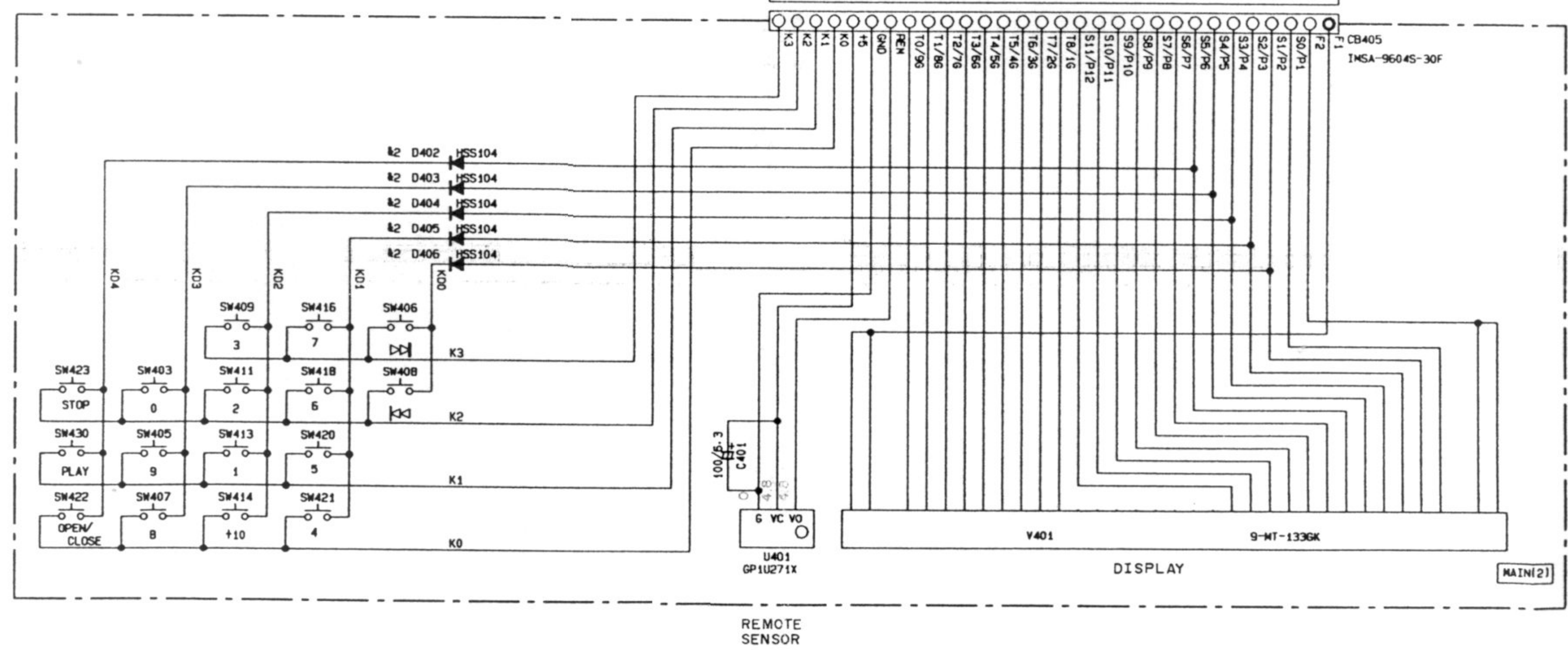
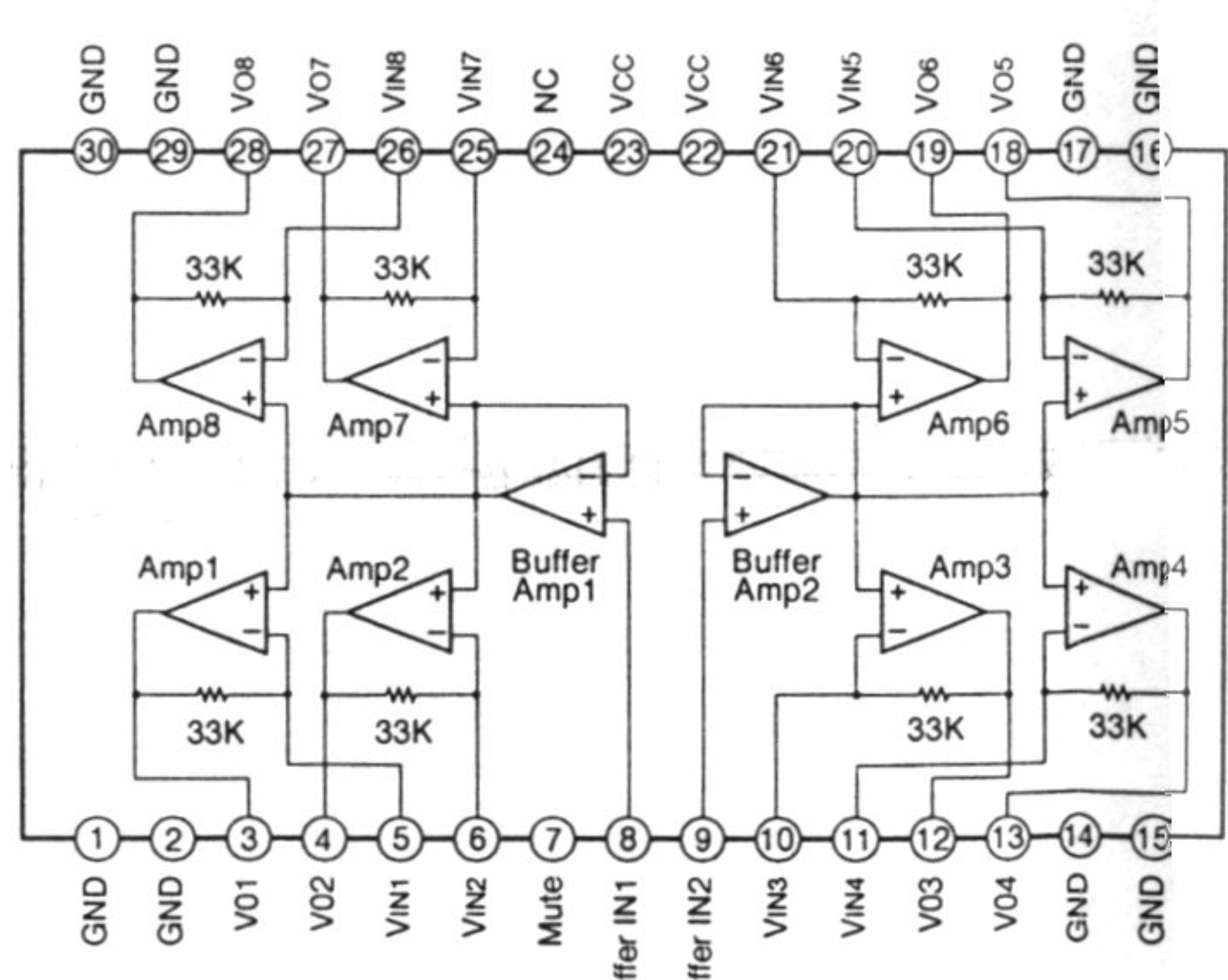


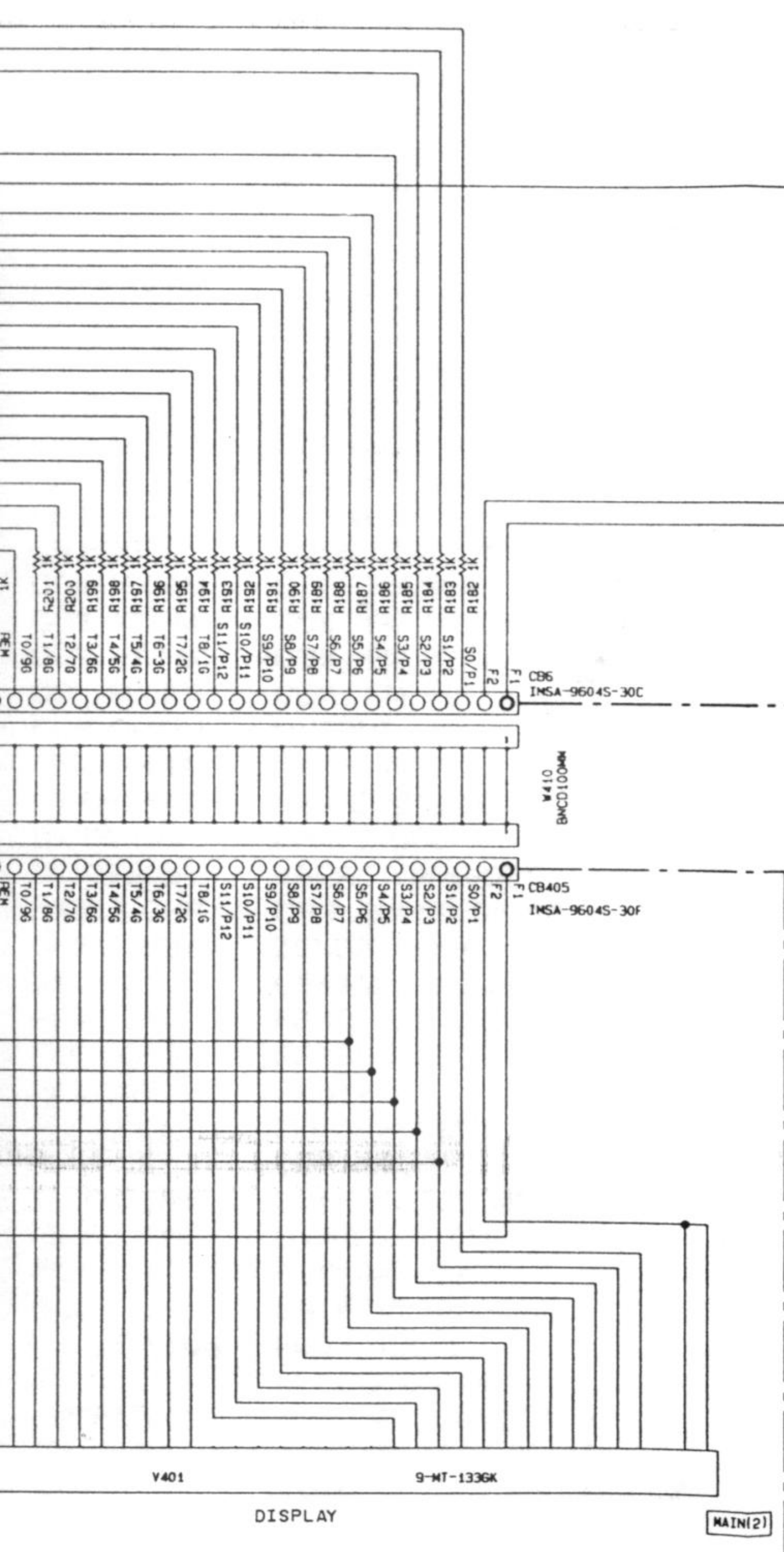
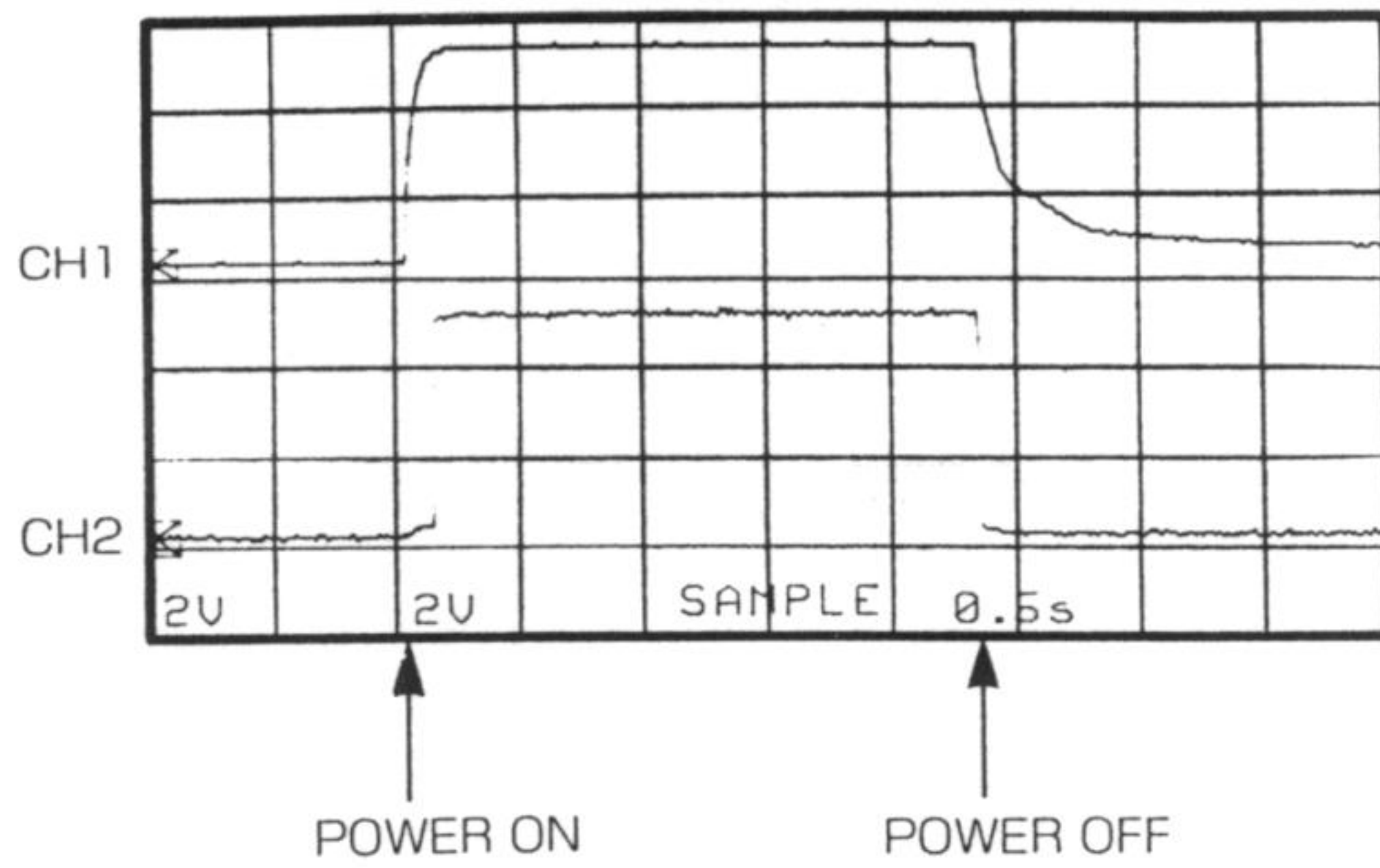
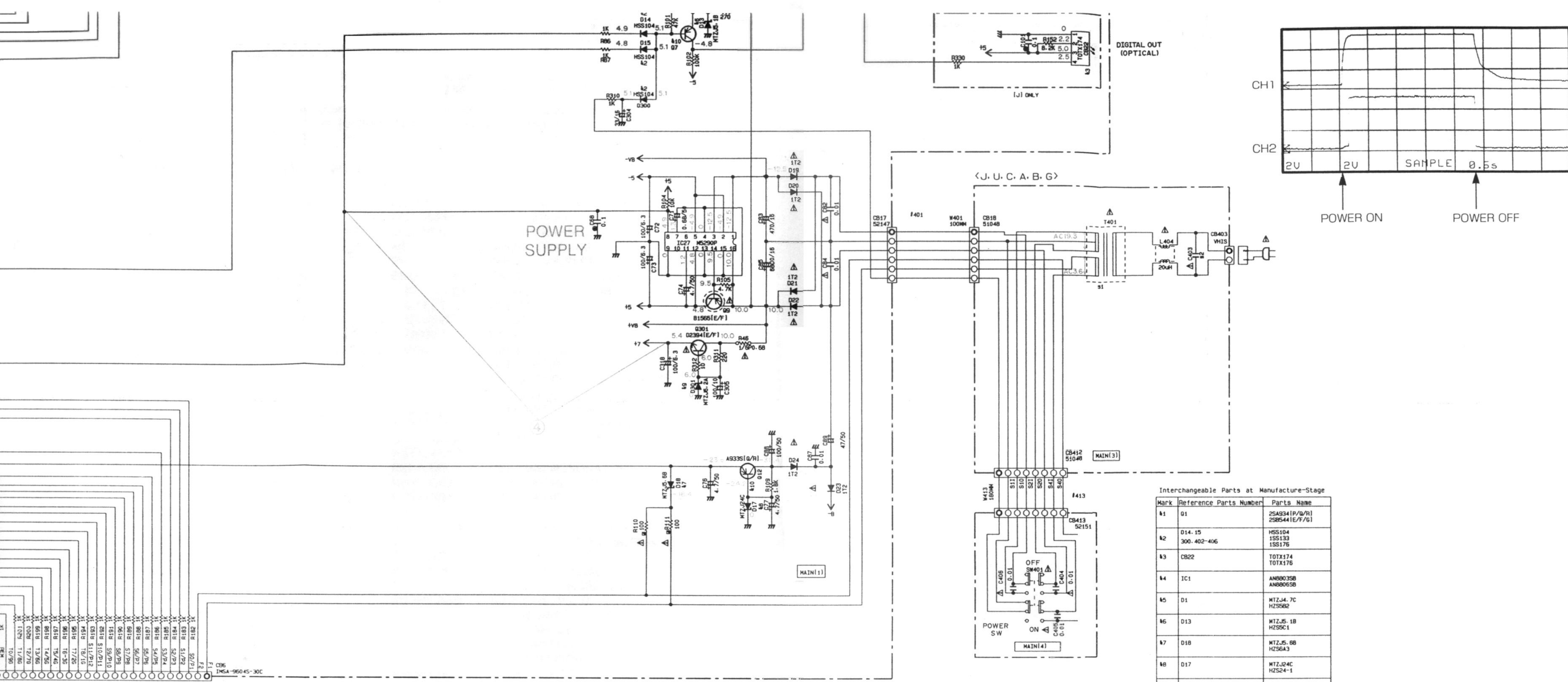
SYSTEM CONTROLLER

IC1 : AN8803SB  
Digital Servo Head Amp



IC6 : LA6536M  
4-Channel BTL Driver





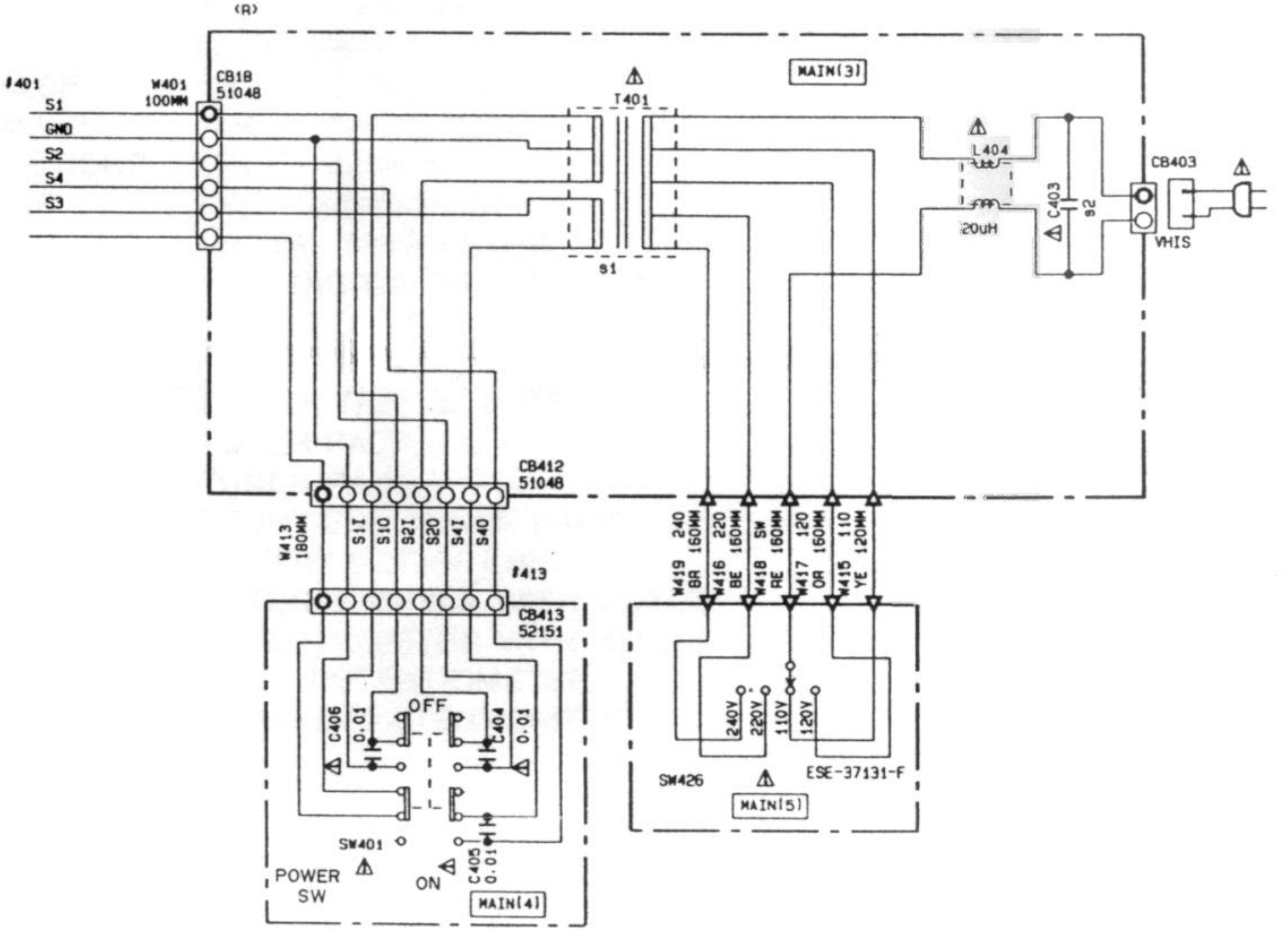
Interchangeable Parts at Manufacture-Stage

Mark	Reference Parts Number	Parts Name
k1	01	2S4934(P/Q/R) 2S8544(E/F/G)
k2	D14.15 300.402-406	HSS104 ISS133 ISS176
k3	CB22	TOTX174 TOTX176
k4	IC1	AN8035B AN8065B
k5	D1	MTZJ4-7C HZ562
k6	D13	MTZJ5-1B HZ56C1
k7	D18	MTZJ5-6B HZ56A3
k8	D17	MTZJ24C HZ524-1
k9	0301	MTZJ6-2A HZ56C1
k10	07-12	2S4933S(Q/R) 2SA1115(E/F) 2SA1309A(Q/R/S)

S	J	U.C	R	A	B.G	
1	T401	XN396	XN392	XN394	XN395	XN393
2	C403	F132410	F138410	V574170	V574170	V574170

NOTICE (model)  
 (J)..... JAPANESE  
 (U)..... U.S.A  
 (C)..... CANADIAN  
 (R)..... GENERAL  
 (A)..... AUSTRALIAN  
 (B)..... BRITISH  
 (G)..... EUROPEAN  
 (L)..... SINGAPORE

CAPACITOR		RESISTOR	
REMARKS	PARTS NAME	REMARKS	PARTS NAME
NO MARK	ELECTROLYTIC CAPACITOR	NO MARK	CARBON FILM RESISTOR (P=5)
⊗	TANTALUM CAPACITOR	⊗	CARBON FILM RESISTOR (P=10)
NO MARK	CERAMIC CAPACITOR	△	METAL OXIDE FILM RESISTOR
⊙	CERAMIC TUBULAR CAPACITOR	▲	METAL FILM RESISTOR
⊖	POLYESTER FILM CAPACITOR	⊠	METAL PLATE RESISTOR
○	POLYSTYRENE FILM CAPACITOR	⊞	FIRE PROOF CARBON FILM RESISTOR
⊕	MICA CAPACITOR	□	CEMENT MOLDED RESISTOR
⊗	POLYPROPYLENE FILM CAPACITOR	⊚	SEMI VARIABLE RESISTOR
●	SEMICONDUCTIVE CERAMIC CAPACITOR	■	CHIP RESISTOR



- 電圧は、内部抵抗 10MΩ の電圧計で測定したものです。
- △印のある部品は、安全性確保部品を示しています。部品の交換が必要な場合、パーツリストに記載されている部品を使用してください。
- 本回路図は標準回路図です。改良のため予告なく変更することがございます。

- \* All voltage are measured with a 10MΩ/V DC electric volt meter.
- \* Components having special characteristics are marked △ and must be replaced with parts having specifications equal to those originally installed.
- \* Schematic diagram is subject to change without notice.